

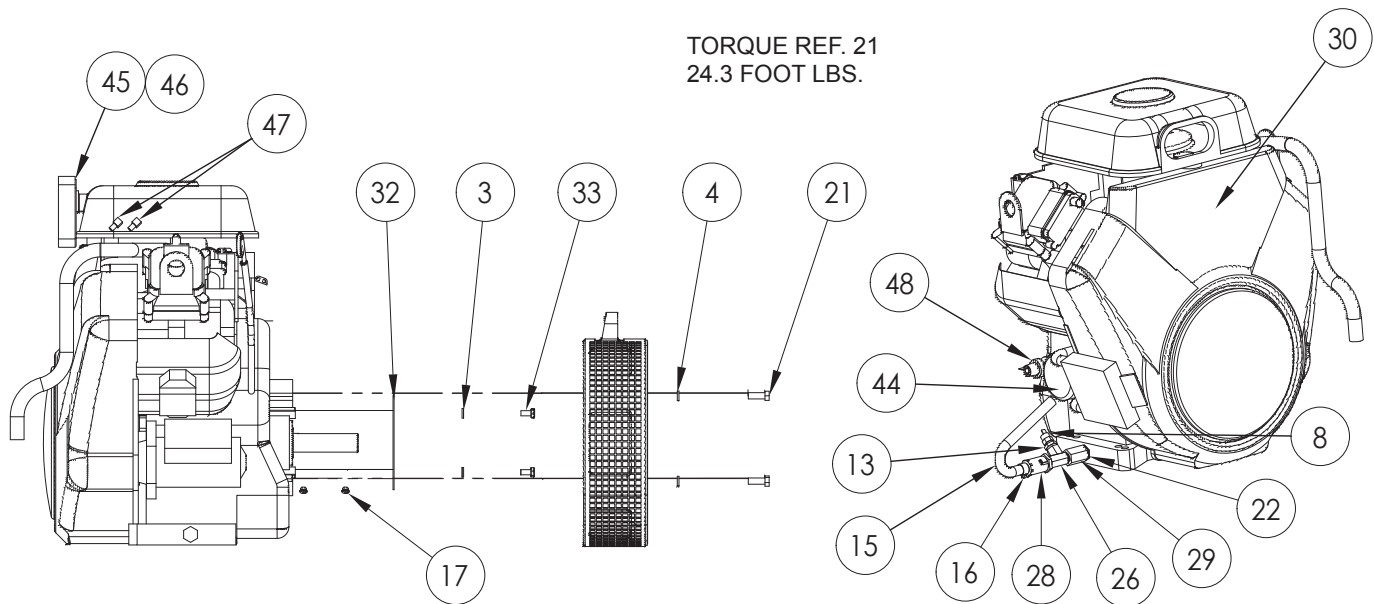
Generator Specifications:

Stator	0.086 OHMS
Rotor	5.848 OHMS
Auxiliary	1.087 OHMS
Exciter Stator	10.60 OHMS
Exciter Rotor	0.417 OHMS



225 S. Cordova Ave Le Center, MN 56057
Service Department 507-357-6831
wincogen.com

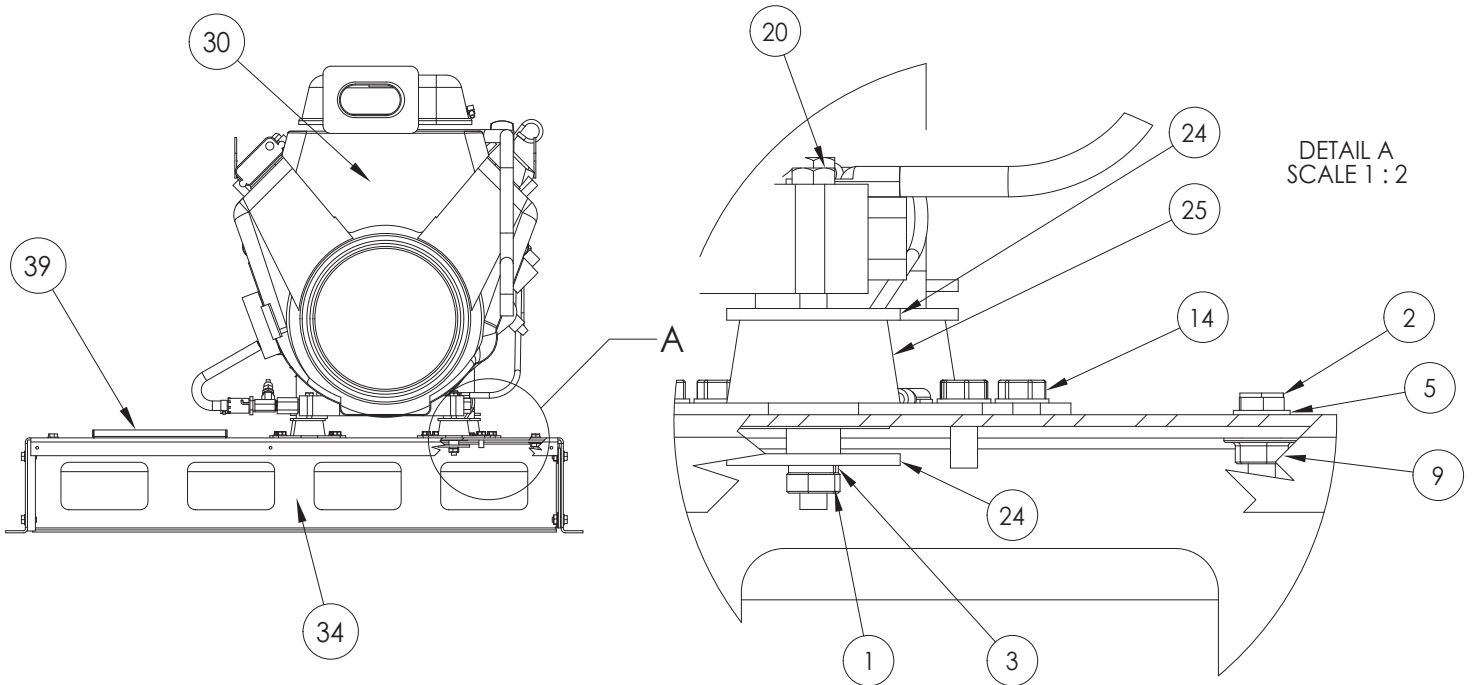
ENGINE ASSEMBLY



REF #	PART NUMBER	QTY	DESCRIPTION
3	480-000	8	5/16" Lock Washer
4	481-000	4	3/8" Lock Washer
8	15808-000	1	Oil Temperature Switch
13	56348-000	1	3/8" x 1/4" Reducer
15	62286-000	20"	1/2" Neoprene Hose
16	62999-004	1	.69 OD Hose Clamp
17	64841-000	2	M5-0.8 Flange Lock Nut
21	91658-001	4	3/8"-16 x 1" Bolt
22	96187-001	1	M14 ID Oil Drain Gasket
26	99967-000	1	Tee Fitting
28	300349	1	Oil Drain Valve
29	300349-1	1	Oil Drain Adapter
30	16419-000	1	Engine, Briggs & Stratton Model: 613277-0161-B1
32	15144-014	1	Engine Baffle
33	57199-000	4	5/16"-24 x 5/8" Bolt
44	2-105	1	Oil Filter
45	99998-121	1	Intake Plate
46	99998-168S	1	Air Intake Front Foam
47	81827-001	2	1/8" x 90° Elbow
48	841281	1	Oil Pressure Switch
NI	2-109	2	Spark Plug
NI	2-116	1	Air Filter
NI	2-104	1	Pre-Cleaner, Low Profile

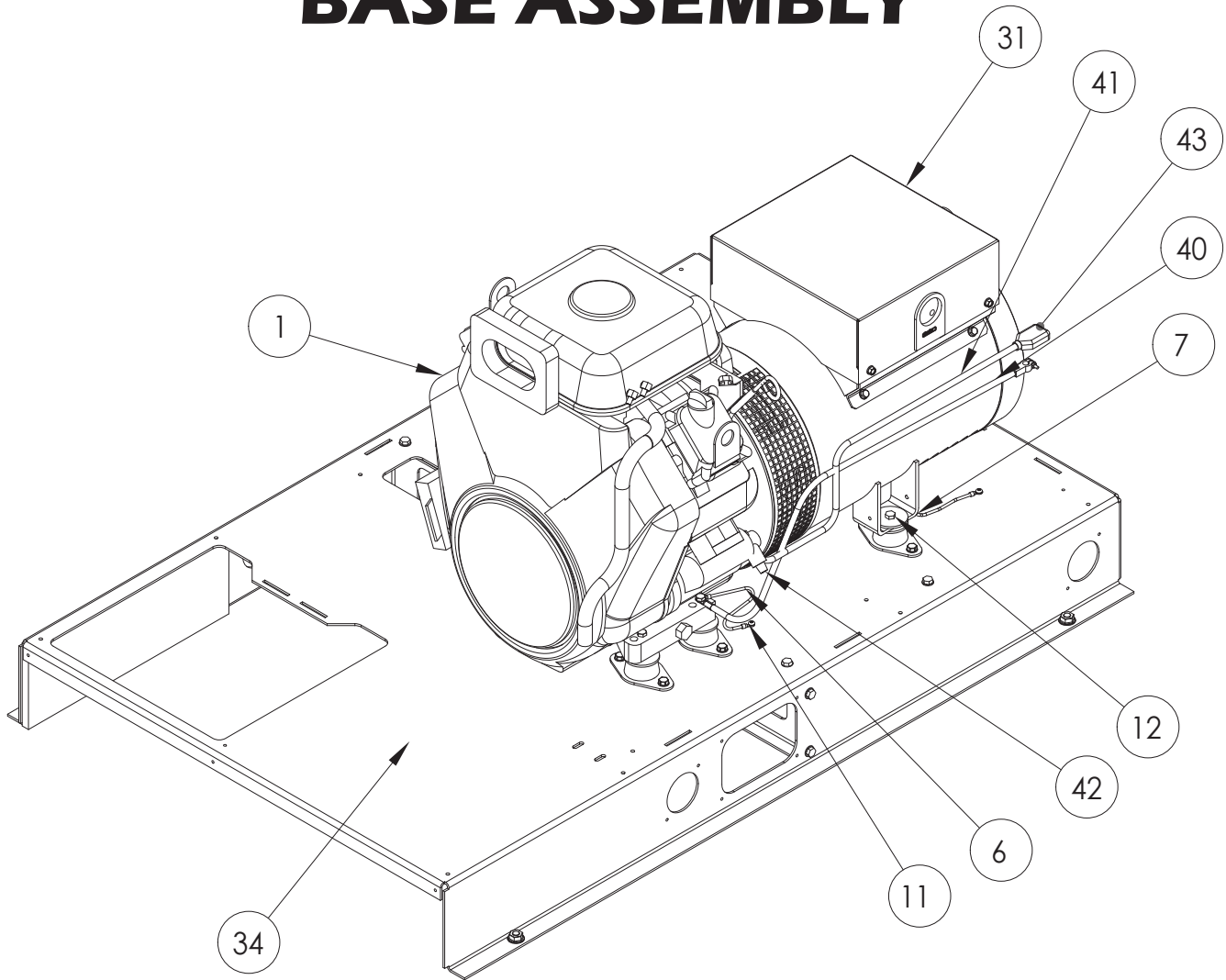
Notes: NI - Not Illustrated

ENGINE / GENERATOR BASE ASSEMBLY



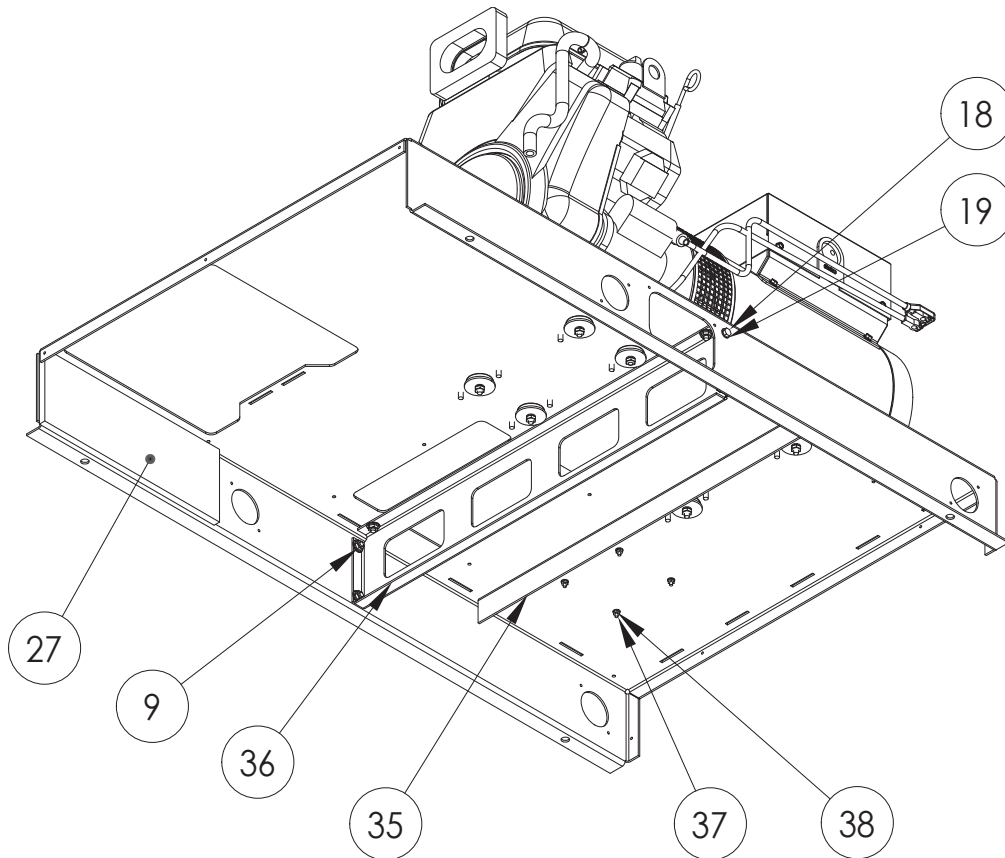
REF #	PART NUMBER	QTY	DESCRIPTION
1	458-000	6	5/16"-18 Hex Nut
2	467-000	4	5/16"-18 x 3/4" Bolt
3	480-000	8	5/16" Lock Washer
5	526-000	8	5/16" Flat Washer
9	16249-000	8	5/16"-18 Flang Nut
14	62173-001	12	5/16"-18 x 3/4" Self Tapper
20	91107-001	4	5/16"-18 x 3 3/4" Bolt
24	98806-000	14	2" Washer
25	98807-000	6	Shock Mount
30	16419-000	1	Engine, Briggs & Stratton Model: 613277-0161-B1
34	99998-056	1	Formed Base
39	300430-5	1	Battery Tray

ENGINE / GENERATOR BASE ASSEMBLY



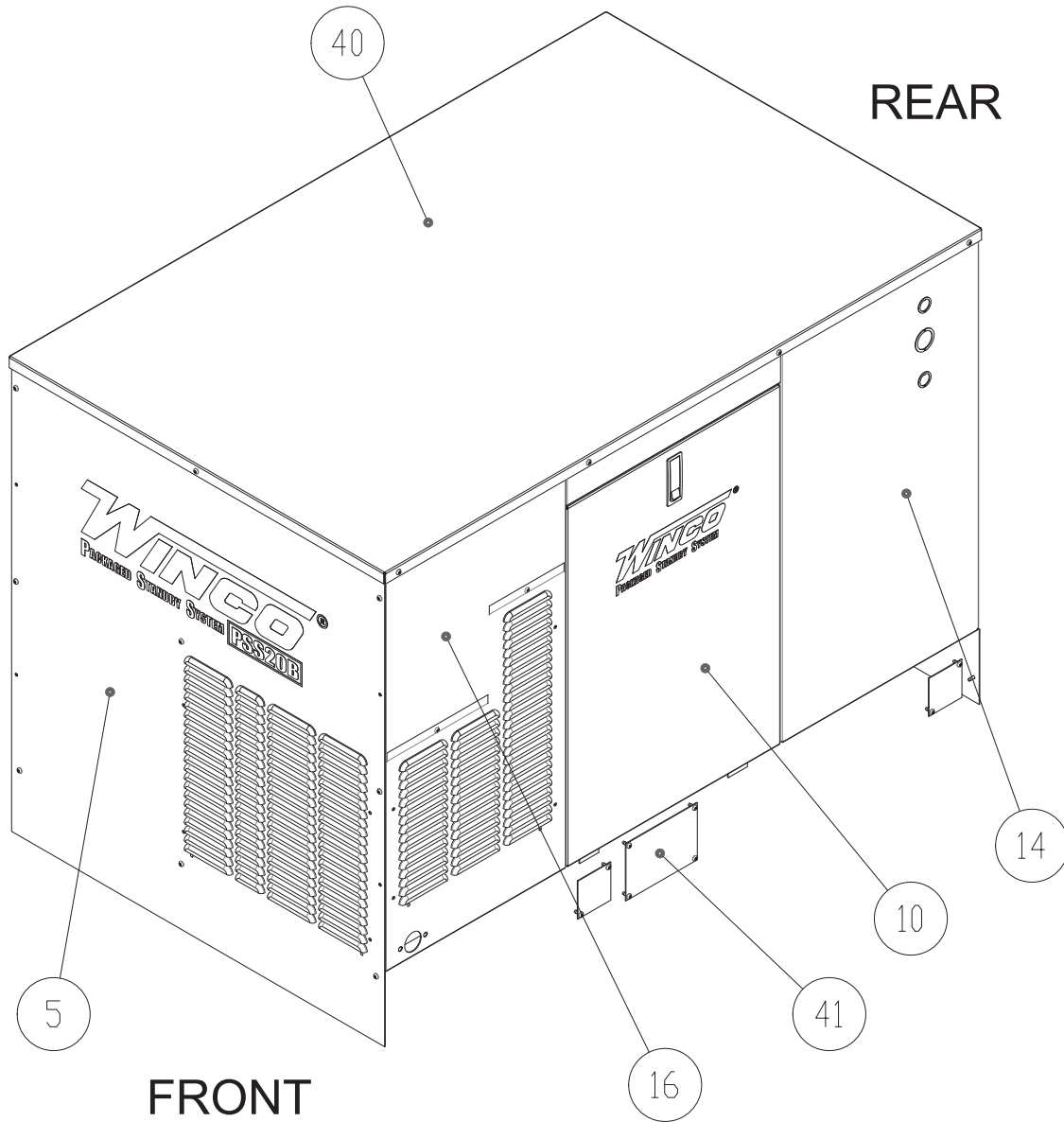
REF #	PART NUMBER	QTY	DESCRIPTION
1	458-000	6	5/16"-18 Hex Nut
6	9769-145	1	Lead Wire Assembly
7	9769-164	1	Lead Wire Assembly
11	21698-001	2	Torx Screw
12	51101-000	2	5/16"-18 x 2 3/4" Bolt
31	64887-003	1	Generator, Mecc Alte Model: ECP28-3L/2
34	99998-056	1	Formed Base
40	22097-006	1	Battery Negative (-) Cable
41	22097-010	1	Battery Positive (+) Cable
42	16145-000	1	Battery Terminal Insulator
43	95901-002	1	Red Battery Terminal Boot

ENGINE / GENERATOR BASE ASSEMBLY

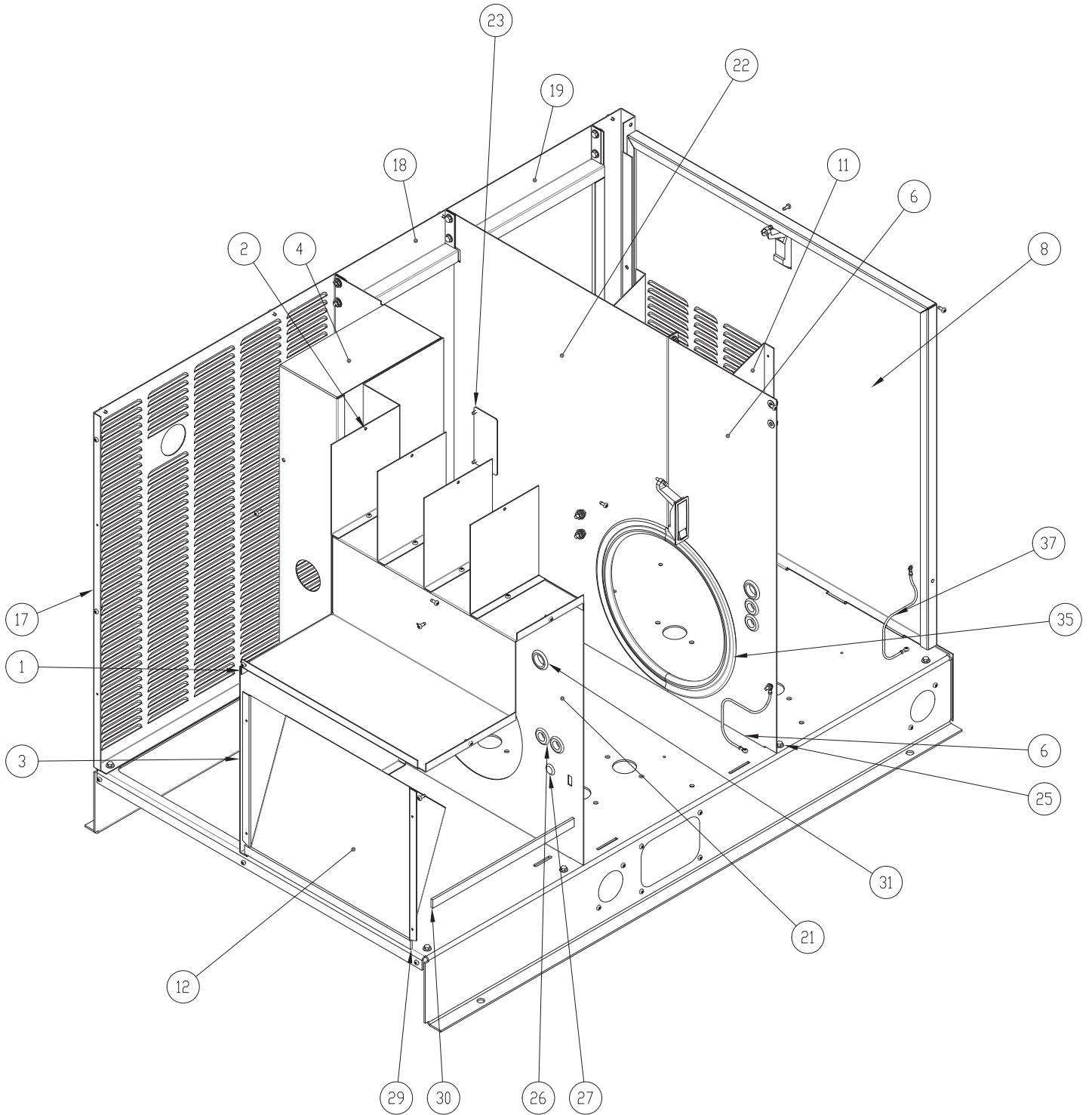


REF #	PART NUMBER	QTY	DESCRIPTION
9	16249-000	8	5/16"-18 Flange Nut
18	65001-001	4	5/16"-18 x 3/4" Bolt
19	65005-001	4	5/16" Washer
27	99998-180S	1	Reflective Foam Base Rail
35	99998-057	1	Engine Support Beam
36	99998-058	1	Generator Support Beam
37	95568-000	4	10-24 x 5/8" Threaded Stud
38	99671-000	4	# 10-24 Hex Nut

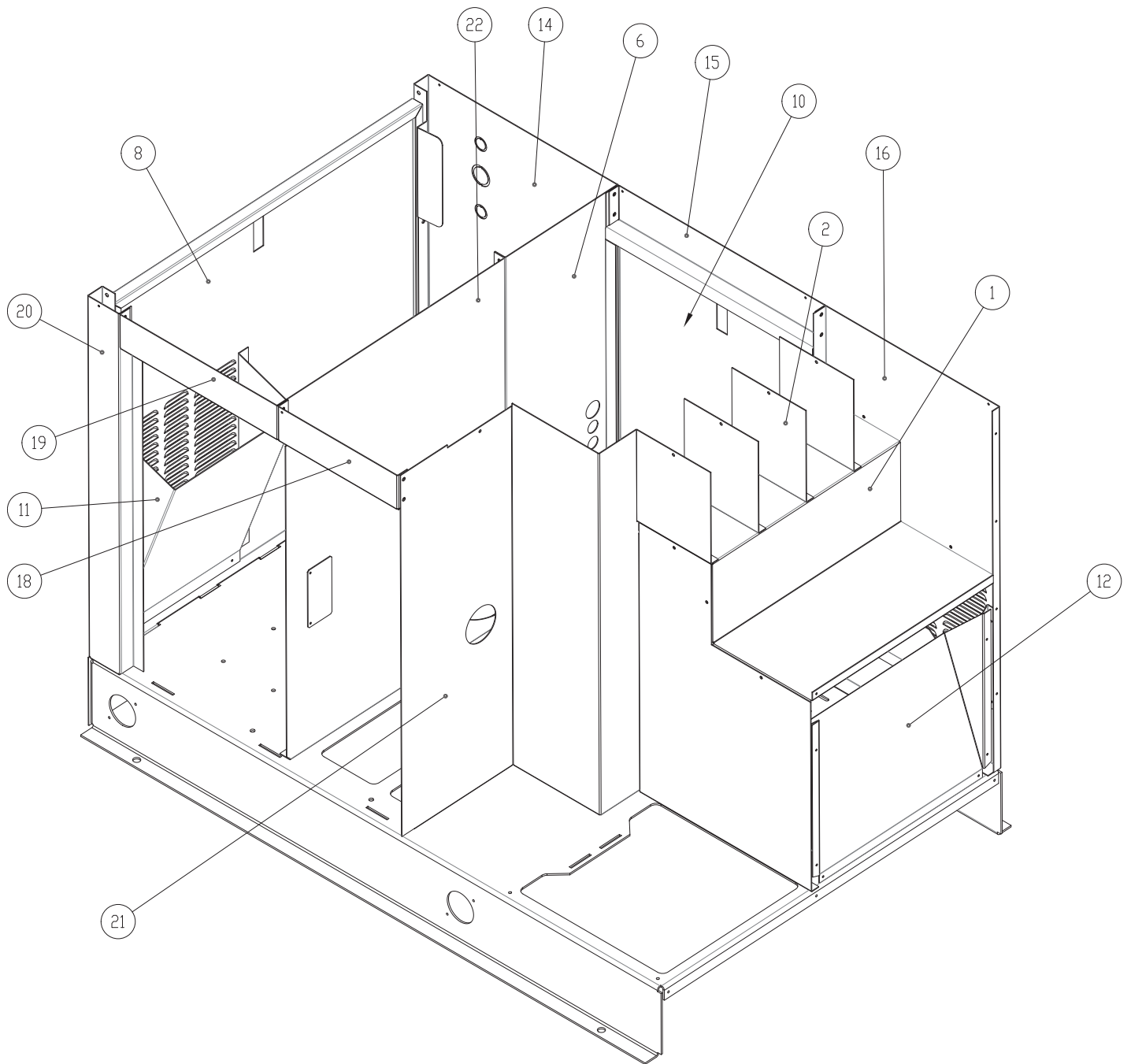
HOUSING ASSEMBLY



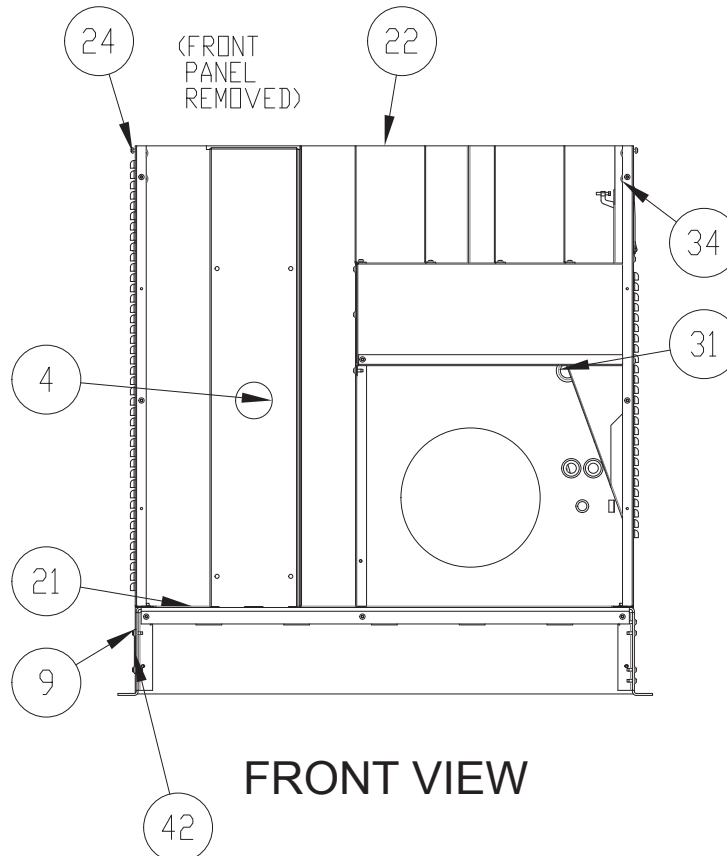
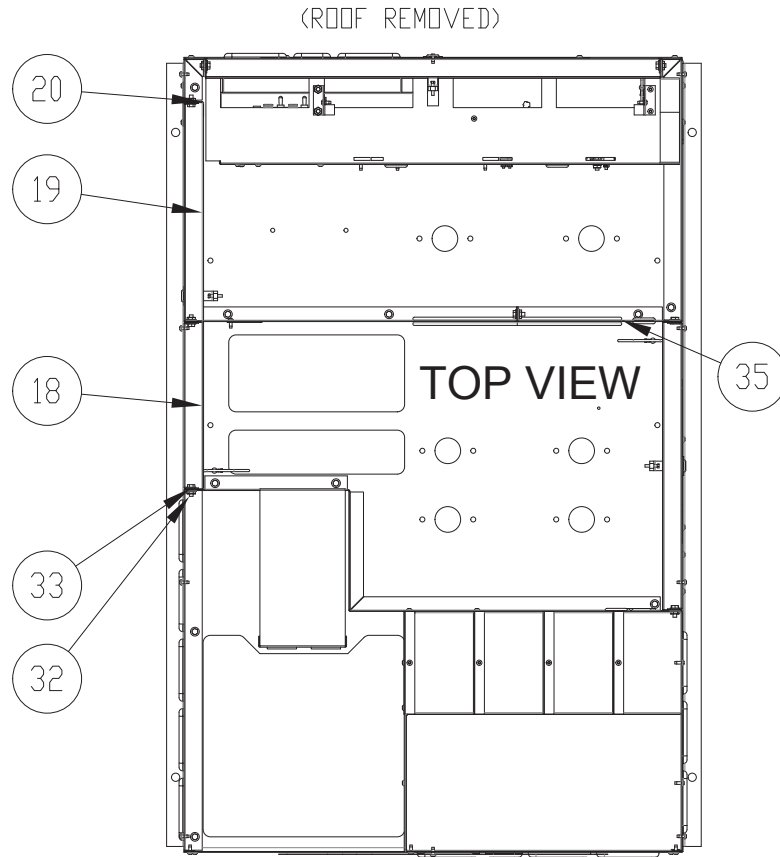
HOUSING ASSEMBLY



HOUSING ASSEMBLY

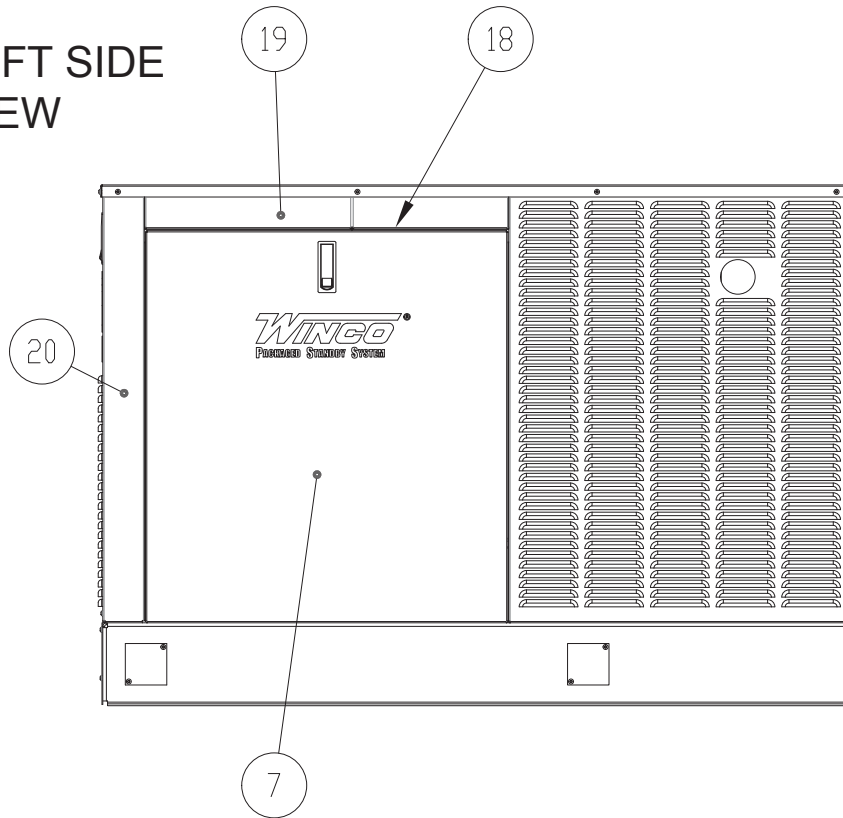


HOUSING ASSEMBLY

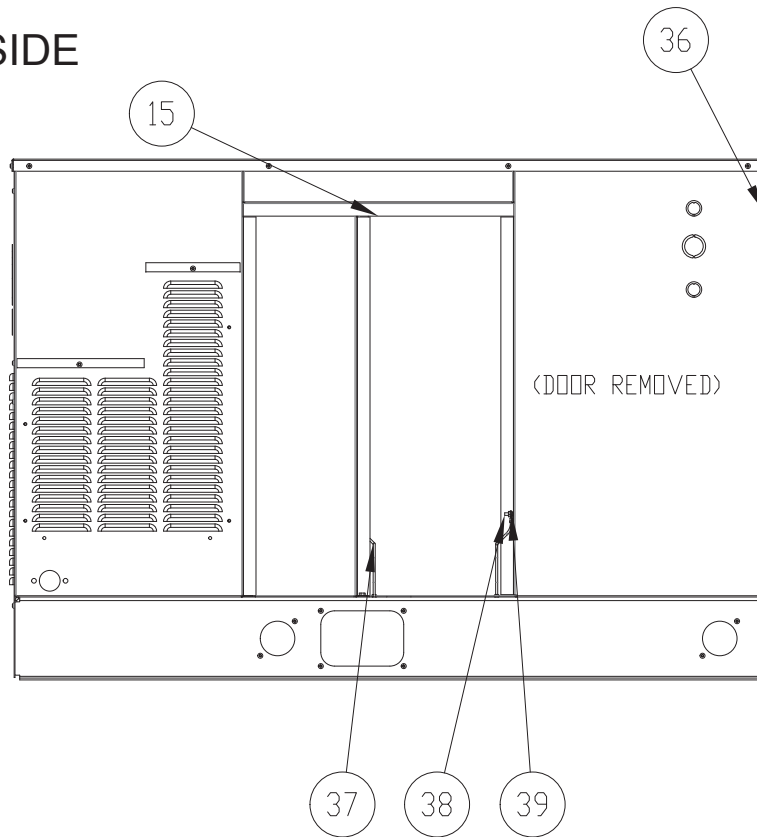


HOUSING ASSEMBLY

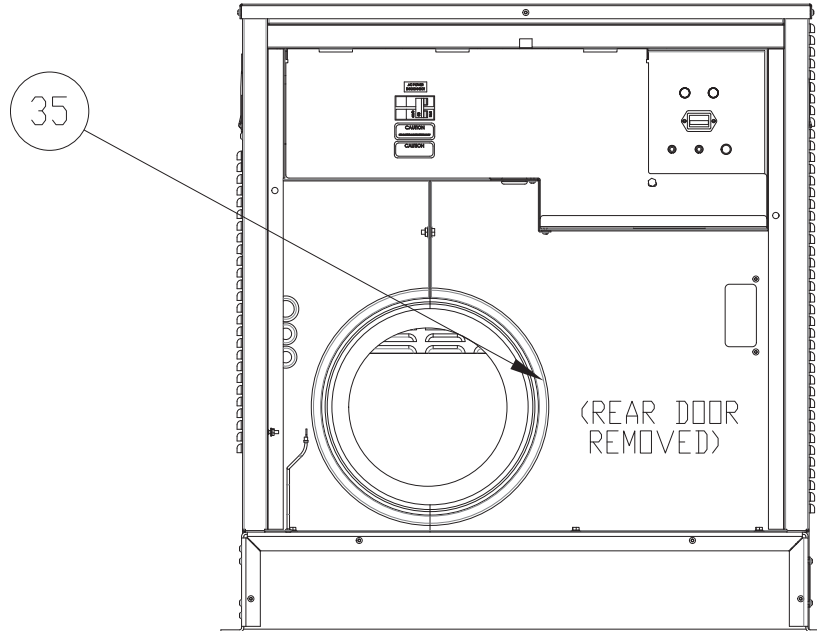
LEFT SIDE VIEW



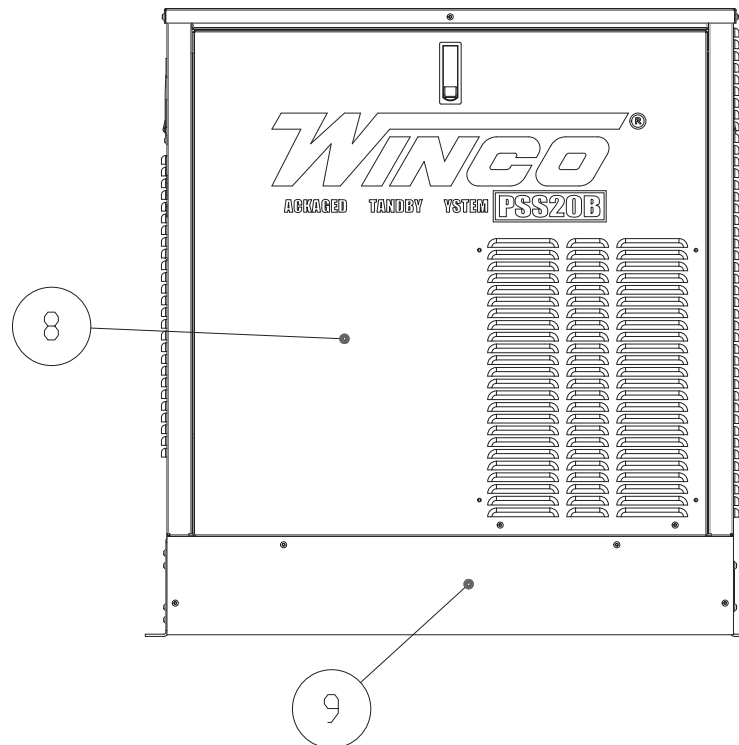
RIGHT SIDE VIEW



HOUSING ASSEMBLY



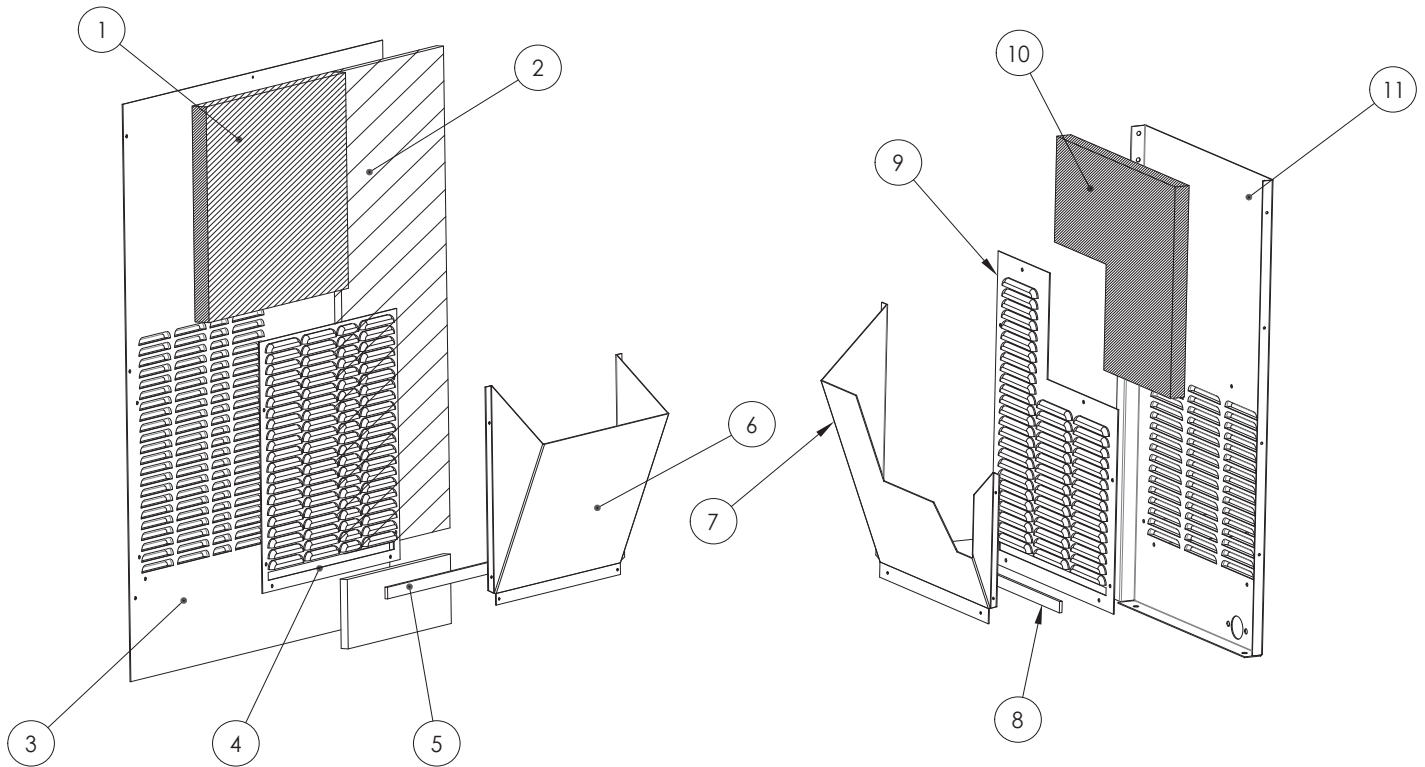
REAR VIEW



HOUSING ASSEMBLY

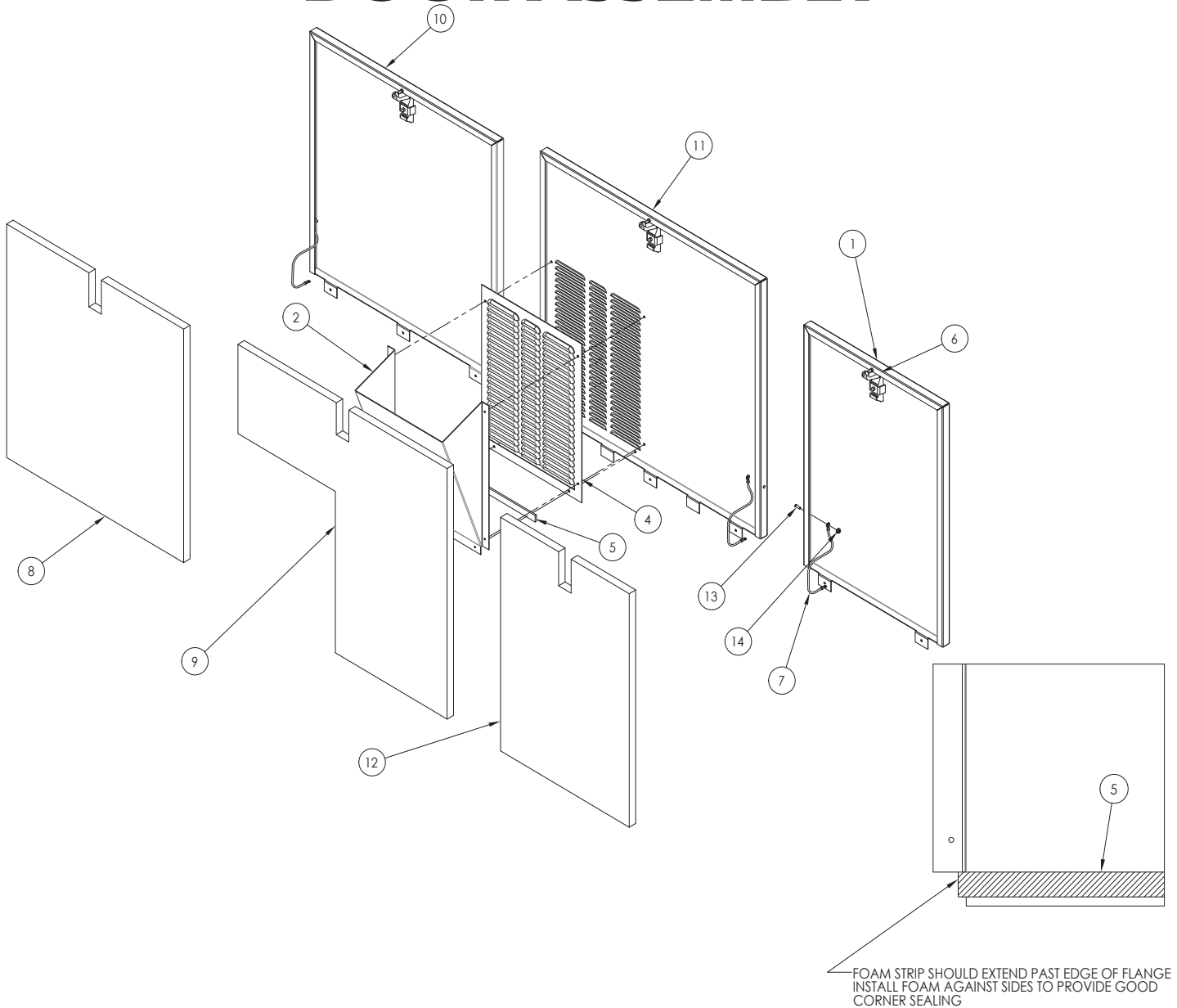
REF #	PART NUMBER	QTY	DESCRIPTION
1	99998-104S	1	Cold Air Divider
2	99998-105S	4	Exhaust Panel Baffle
3	99998-106S	1	Engine Intake Baffle
4	99998-107S	1	Muffler Bracket
5	99998-108S	1	Front Panel
6	99998-113S	1	Generator Divider Left
7	99998-119S	1	Right Side Door
8	99998-122S	1	Rear Door
9	99998-124S	1	Base End Cover
10	99998-127S	1	Left Side Door
11	99998-131S	1	Rear Door Vent Baffle
12	99998-132S	1	Intake Vent Baffle Bottom
13	99998-133S	1	Intake Vent Baffle Top
14	99998-610	1	Left Rear Panel
15	99998-611	1	Overhead Beam Side Door One
16	99998-612	1	Intake Shroud
17	99998-613	1	Exhaust Shroud
18	99998-137S	1	Overhead Beam Right Side Door
19	99998-615	1	Overhead Beam Side Door Two
20	99998-616	1	Right Rear Panel
21	99998-617	1	Engine Divider
22	99998-618	1	Generator Divider Right
23	16440-002S	1	Heater Hole Cover
24	21698-001	58	Torx Screw
25	55440-000	13	1/4"-20 x 1/2" Self Tap
26	23917-000	4	Grommet
27	15102-001	1	Hole Plug
28	62912-001	12.5"	3/4" Foam Strip
29	62912-001	17"	3/4" Foam Strip
30	62912-001	14.5"	3/4" Foam Strip
31	62486-000	2	Grommet
32	476-000	12	14-20 x 5/8" Bolt
33	512-000	12	Washer
34	16248-000	12	Flange Nut
35	15287-000	20.5"	Air Seal
36	95229-005	3	Door Latch
37	9769-161	3	Door Tether
38	95568-000	3	10-24 x 5/8" Bolt
39	99671-000	3	#10-24 Hex Nut
40	99998-123S	1	Roof
41	99998-125S	1	Base Side Cover
42	300385-2	4	Lifting Eye Cover
43	99998-150	Reference	Foam Kit
44	99998-175	Reference	Reflective Foam Kit

FRONT PANEL & SHROUD ASSEMBLIES



REF #	PART NUMBER	QTY	DESCRIPTION
1	99998-161S	1	Front Panel Foam
2	99998-181S	1	Front Panel Reflective Foam
3	99998-108S	1	Front Panel
4	99998-136S	1	Front Louvered Panel
5	62912-001	17"	Foam Strip
6	99998-132S	1	Cold Air Intake Baffle Bottom
7	99998-133S	1	Cold Air Intake Baffle Top
8	62912-001	14.5"	Foam Strip
9	99998-135S	1	Intake Louvered Panel
10	99998-162S	1	Intake Shroud Foam
11	99998-612	1	Intake Shroud

DOOR ASSEMBLY



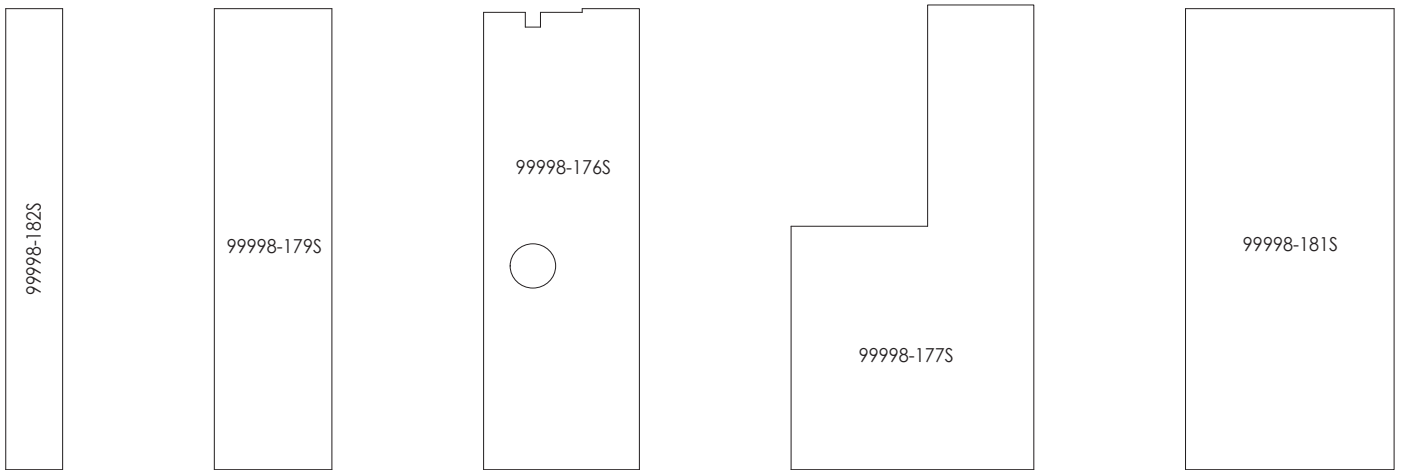
FOAM STRIP SHOULD EXTEND PAST EDGE OF FLANGE
INSTALL FOAM AGAINST SIDES TO PROVIDE GOOD
CORNER SEALING

REF #	PART NUMBER	QTY	DESCRIPTION
1	99998-127S	1	Left Side Door
2	99998-131S	1	Rear Door Vent Baffle
3	21698-001	10	Torx Screw
4	99998-134S	1	Rear Door Louvered Panel
5	62912-000	12.5"	Foam Strip
6	95229-005	3	Door Latch
7	9769-109	3	Door Tether
8	99998-174S	1	Right Door Foam
9	99998-191S	1	Rear Side Door
10	99998-119S	1	Right Side Door
11	99998-122S	1	Rear Door
12	99998-173S	1	Left Door Foam
13	95568-000	3	#10-24 x 5/8" Self Clinch Stud
14	99671-000	3	#10-24 Hex Nut

REFLECTIVE FOAM

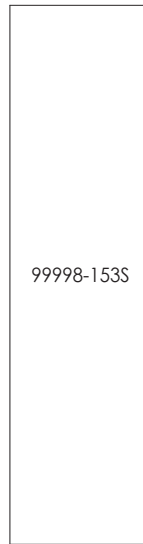
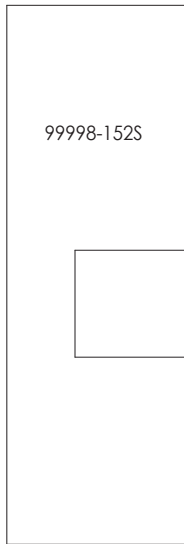
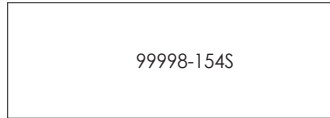
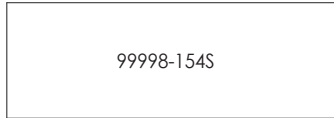


ALL PARTS ARE SHOWN ADHESIVE SIDE UP



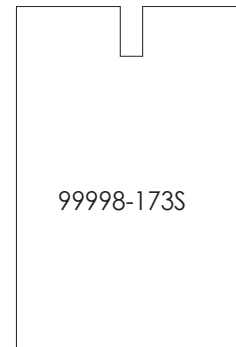
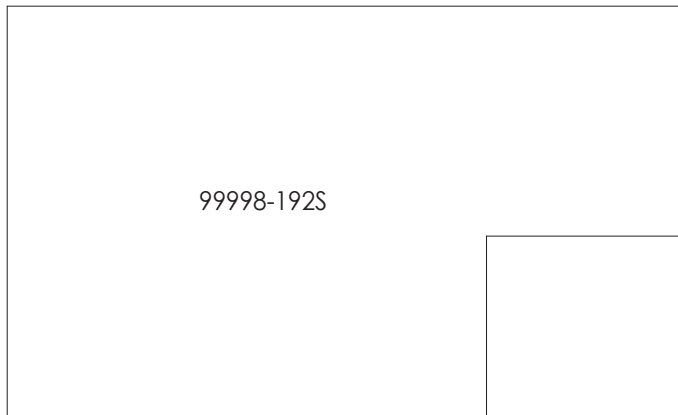
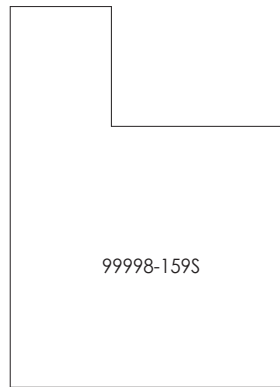
PART NUMBER	QTY	DESCRIPTION
99998-180S	1	Base Rail Reflective Foam
99998-183S	1	Silencer Drain Panel Two Refl. Foam
99998-185S	1	Roof Reflective Foam
99998-178S	1	Engine Divider Two Reflective Foam
99998-182S	1	Engine Divider Three Reflective Foam
99998-179S	1	Muffler Bracket Reflective Foam
99998-176S	1	Engine Divider One Reflective Foam
99998-177S	1	Cold Air Divider Reflective Foam
99998-181S	1	Front Panel Reflective Foam

FOAM PIECES

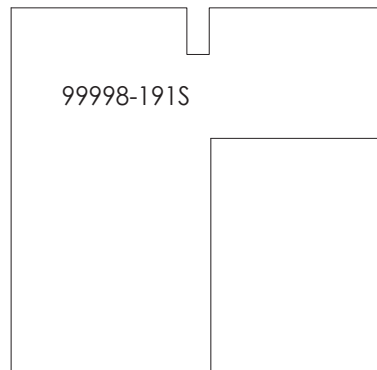
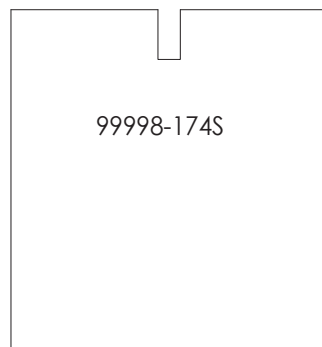


NOTE:

ALL PARTS ARE SHOWN WITH ADHESIVE SIDE UP

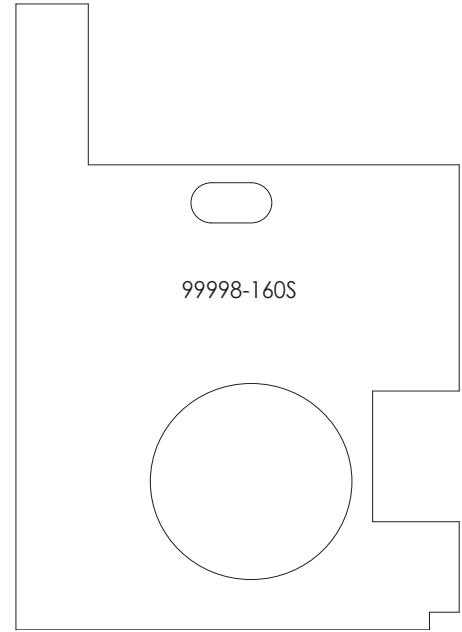
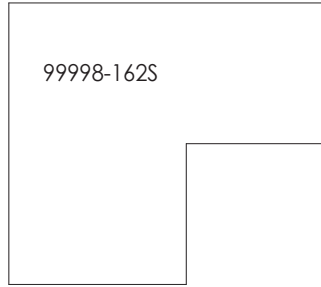


ADHESIVE SIDE UP

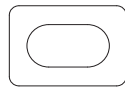
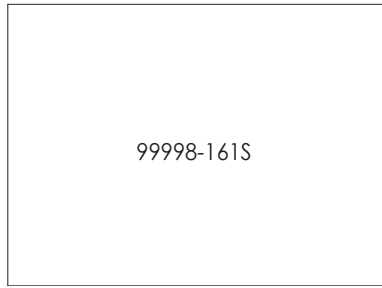


FOAM PIECES

99998-156S



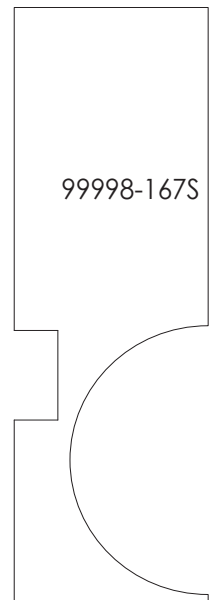
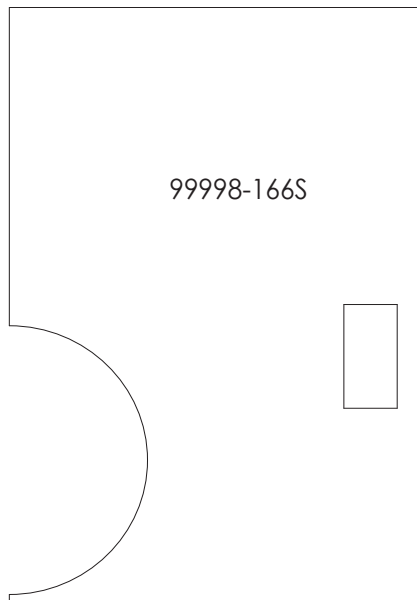
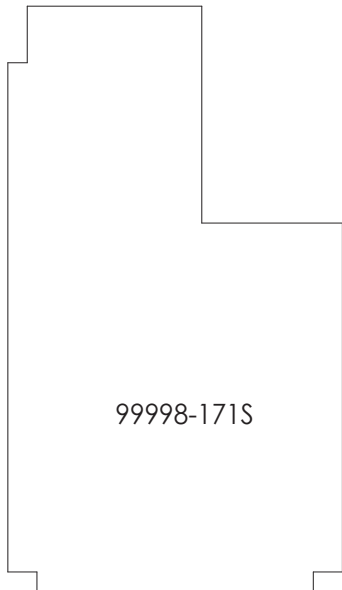
99998-164S



99998-168S

NOTE:

ALL PARTS ARE SHOWN WITH ADHESIVE SIDE UP

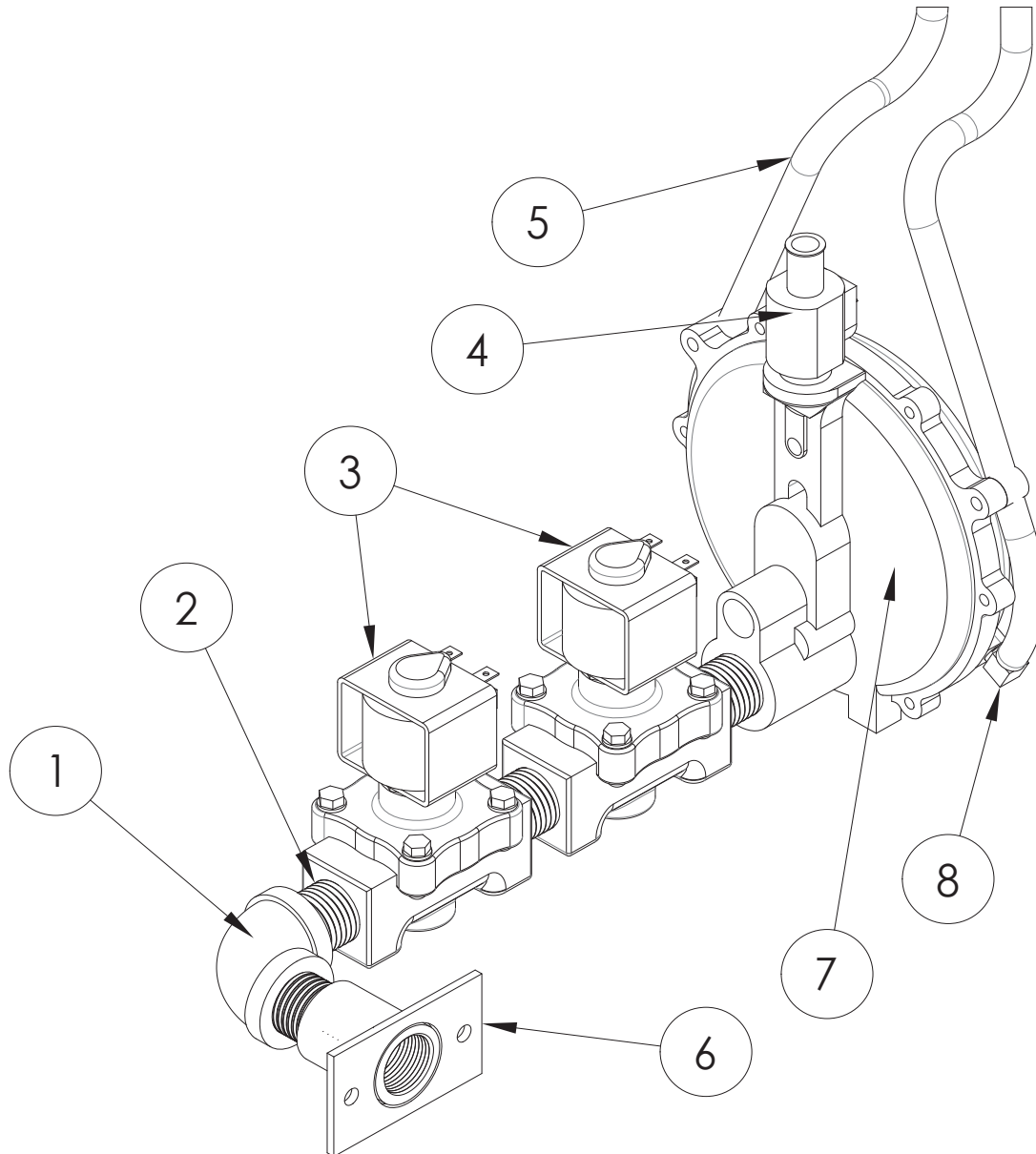


99998-165S

FOAM PIECES

PART NUMBER	QTY	DESCRIPTION
99998-152S	1	Engine Divider One Foam
99998-153S	1	Engine Divider Two Foam
99998-154S	2	Cold Air Divider Top Foam
99998-155S	1	Cold Air Divider Bottom Foam
99998-159S	1	Intake Baffle Three Foam
99998-156S	1	Door Beam Three Foam
99998-160S	1	Engine Divider Three Foam
99998-161S	1	Front Panel Foam
99998-162S	1	Intake Shroud Foam
99998-164S	1	Door Beam One Foam
99998-165S	1	Door Beam Two Foam
99998-166S	1	Generator Divider Right Front Foam
99998-167S	1	Generator Divider Left Front Foam
99998-168S	1	Engine Air Intake Front Foam
99998-171S	1	Rear Left Panel Foam
99998-172S	1	Rear Right Panel Foam
99998-173S	1	Left Door Foam
99998-174S	1	Right Door Foam
99998-191S	1	Rear Door Foam
99998-192S	1	Roof Foam

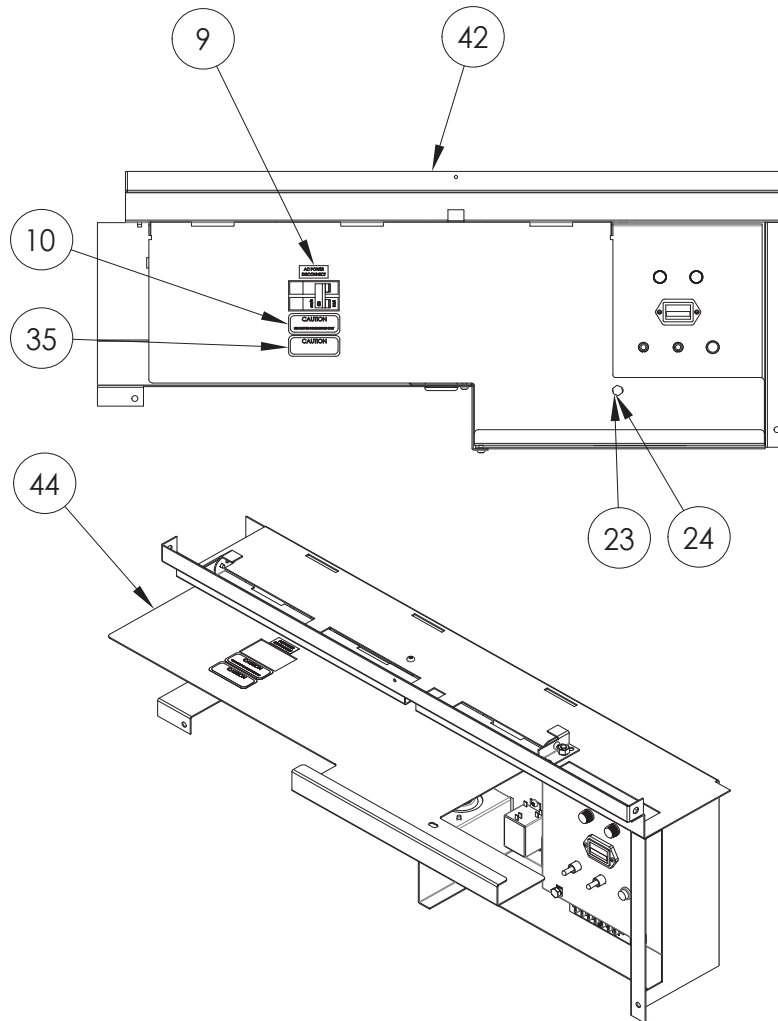
FUEL SYSTEMS ASSEMBLY



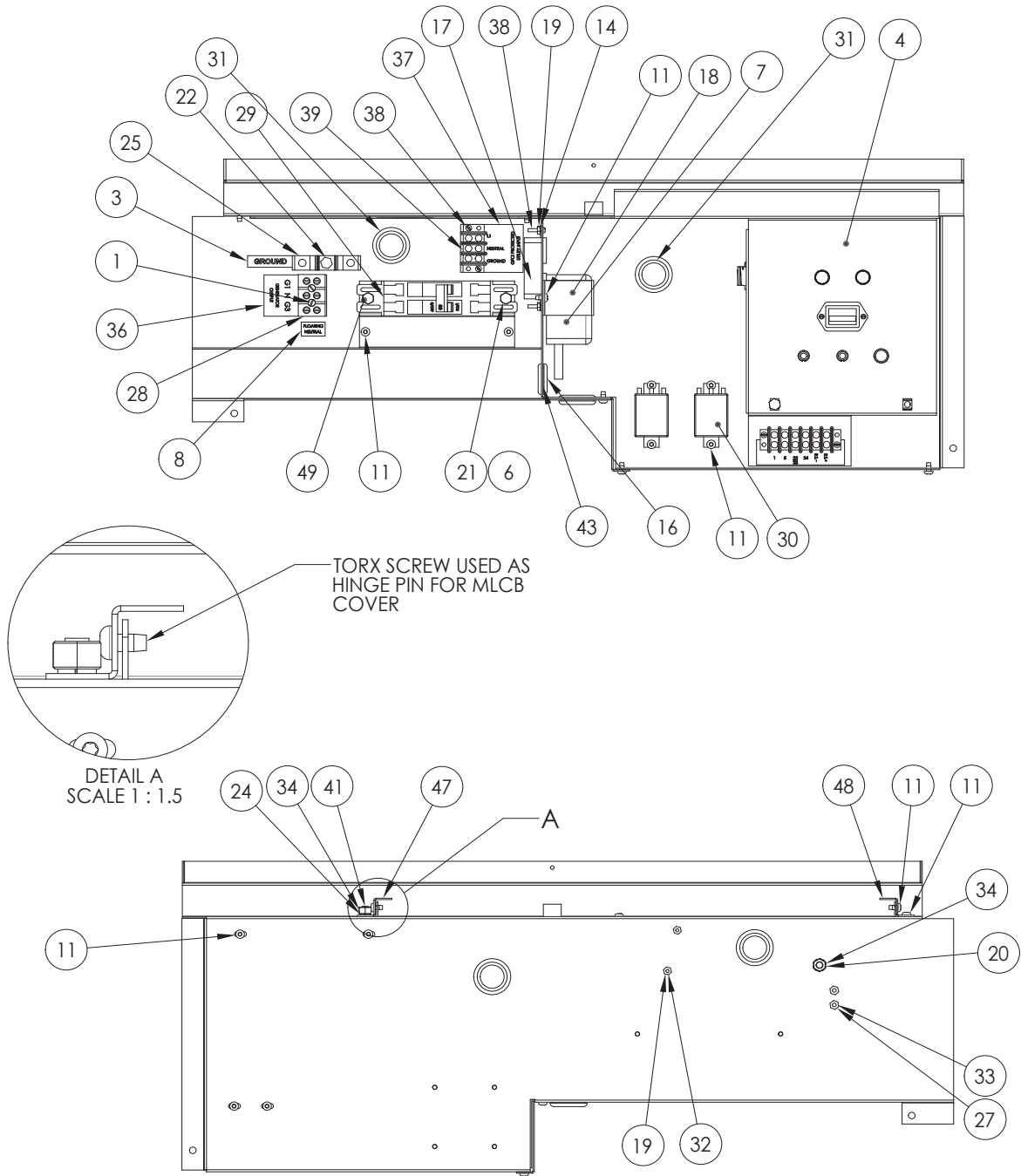
REF #	PART NUMBER	QTY	DESCRIPTION
1	50244-000	1	90° Pipe Elbow
2	54074-006	4	3/4" Nipple
3	42942-000	2	Solenoid
4	99874-006	1	LP/NG Selector Valve
5	40078-000	45.5"	Breather Hose
6	99085-013	1	Fuel Inlet Weldment
7	55559-003	1	Impco KN Regulator
8	81827-001	2	90° 1/8" Hose Connector
NI	16447-017	1	Fuel Solenoid Harness
NI	23048-000	2 FT	1/2" Fuel Hose

Notes: NI - Not Illustrated

CONTROL TOWER ASSEMBLY



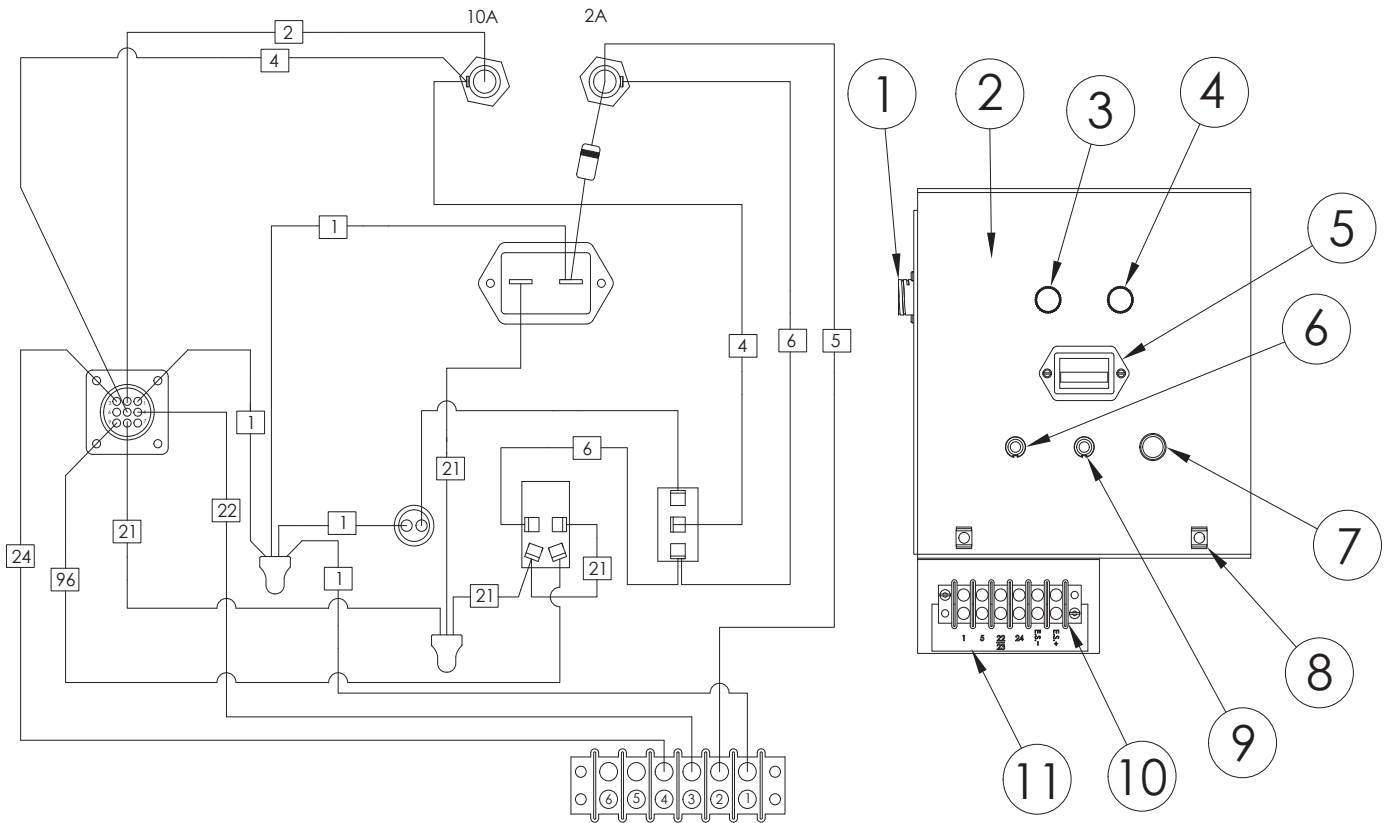
CONTROL TOWER ASSEMBLY



CONTROL TOWER ASSEMBLY

REF #	PART NUMBER	QTY	DESCRIPTION
1	10846-000	2	8-32 x 1.5" Bolt
3	15750-001	1	Ground Decal
4	15764-013	1	4-Wire Engine Control Assembly
6	16248-000	2	1/4-20 Flange Nut
7	16287-001	1	Battery Tender
8	16501-000	1	Floating Neutral Decal
9	16502-001	1	AC Disconnect Decal
10	16503-000	1	Copper Conductor Decal
11	21698-001	18	Torx Screw
14	22989-000	2	#6 External Tooth Lock Washer
16	23917-000	1	Grommet
17	24749-000	1	NEMA 5-15R Receptacle
18	300308-50	1	Battery Tender Bracket
19	394-000	4	#6-32 Hex Nut
20	4516-000	2	1/4" External Tooth Lock Washer
21	463-000	2	1/4"-20 x 1/2" Bolt
22	466-000	1	1/4"-20 x 3/4" Bolt
23	476-000	1	1/4"-20 x 5/8" Bolt
24	479-000	3	1/4" Lock Washer
25	48043-000	1	Ground Lug
27	5113-000	2	#8-32 Hex Nut
28	51795-000	1	3 Point Terminal Block
29	57030-010	1	80 Amp 240 Volt Breaker
30	59944-002	2	12VDC 10A SPDT Relay
31	62486-000	3	Grommet
32	6376-000	4	#8 Lock Washer
34	638-000	3	1/4"-20 Hex Nut
35	63941-005	1	Circuit Energized Decal
36	64576-005	1	Generator Output Decal
37	64576-006	1	GFCI Protected Decal
38	7792-000	4	6-32 x 5/8" Bolt
39	80623-005	1	3 PT 20A Terminal Block
41	94980-001	2	1/4"-20 x 5/8" Threaded Stud
42	99998-222	1	Control Box Housing
43	99998-202S	1	Control Box Divider
44	99998-203S	1	Circuit Breaker Cover
45	99998-205	1	Lead Wire Assembly
46	99998-206	1	DC Harness
47	99998-207S	1	Right CB Cover Hinge
48	99998-208S	1	Left Circuit Breaker Hinge
49	99998-209S	1	Circuit Breaker Riser

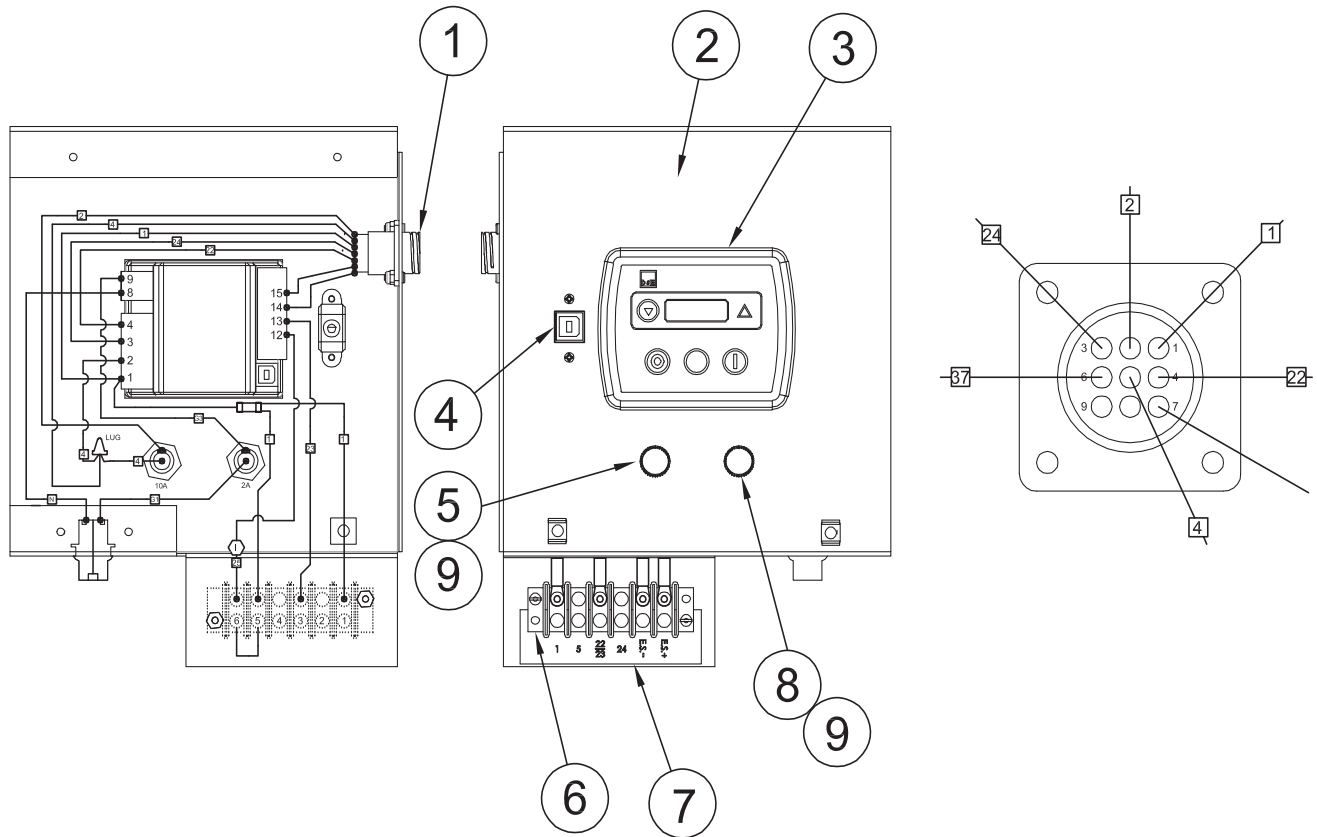
4-WIRE CONTROL ASSEMBLY (15764-013)



REF #	PART NUMBER	QTY	DESCRIPTION
1	96925-005	1	9-Pin Connector
2	15667-009	1	Control Mount
3	95064-008	1	2 Amp Fuse
4	95064-006	1	10 Amp Fuse
5	58166-006	1	Running Time Meter
6	71215-002	1	Toggle Switch ON-NONE-ON
7	64897-001	1	Incandescent Lamp
8	92495-000	2	.25-20 Tinnerman Nut
9	95894-001	1	Toggle Switch (ON)-ON-OFF
10	80623-000	1	Terminal Block
11	64576-018	1	Remote Start Decal
NI	2489-001	2	Fuse Holder
NI	16454-001	1	Transient Voltage Suppressor

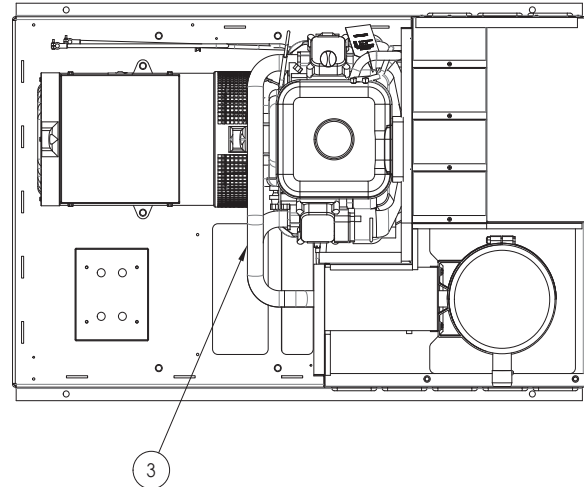
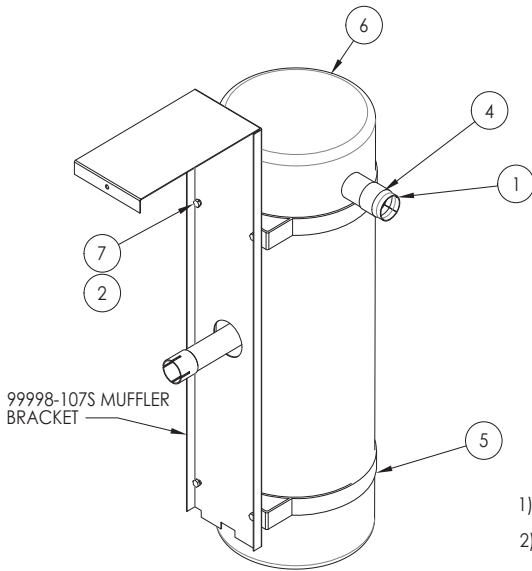
Notes: NI - Not Illustrated

2-WIRE CONTROL ASSEMBLY (15764-009)



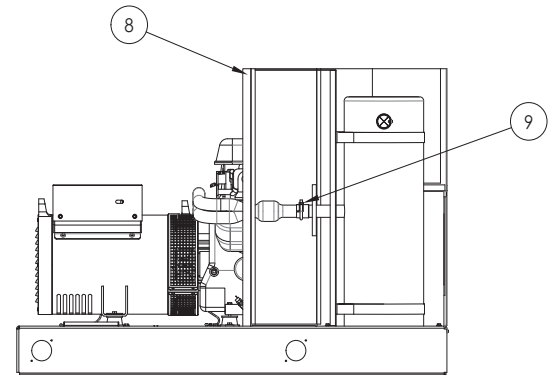
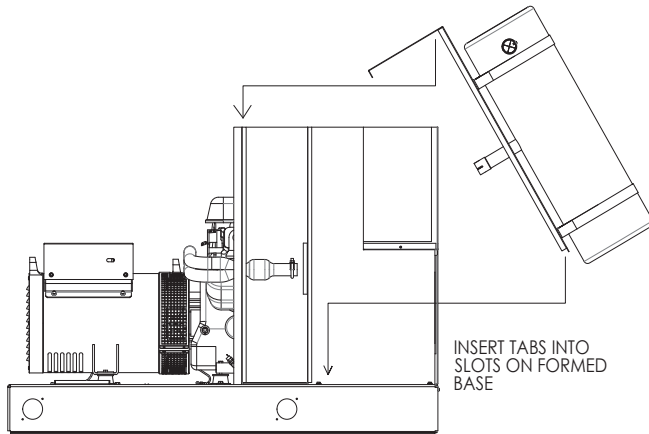
REF #	PART NUMBER	QTY	DESCRIPTION
1	96925-005	1	9-Pin Connector
2	15667-004	1	DSE Mount
3	351112-5	1	DSE 3110 Controller
4	92844-005	1	USB Cable
5	95064-008	1	2 Amp Fuse
6	80623-000	1	6 Point Terminal Block
7	64576-018	1	Remote Start Decal
8	95064-006	1	10 Amp Fuse
9	2489-001	2	Fuse Holder

EXHAUST ASSEMBLY



- 1) INSERT TABS INTO SLOTS ON FORMED BASE
- 2) LIFT FLANGE AND HOOK MUFFLER BRACKET OVER ENGINE DIVIDER PANEL

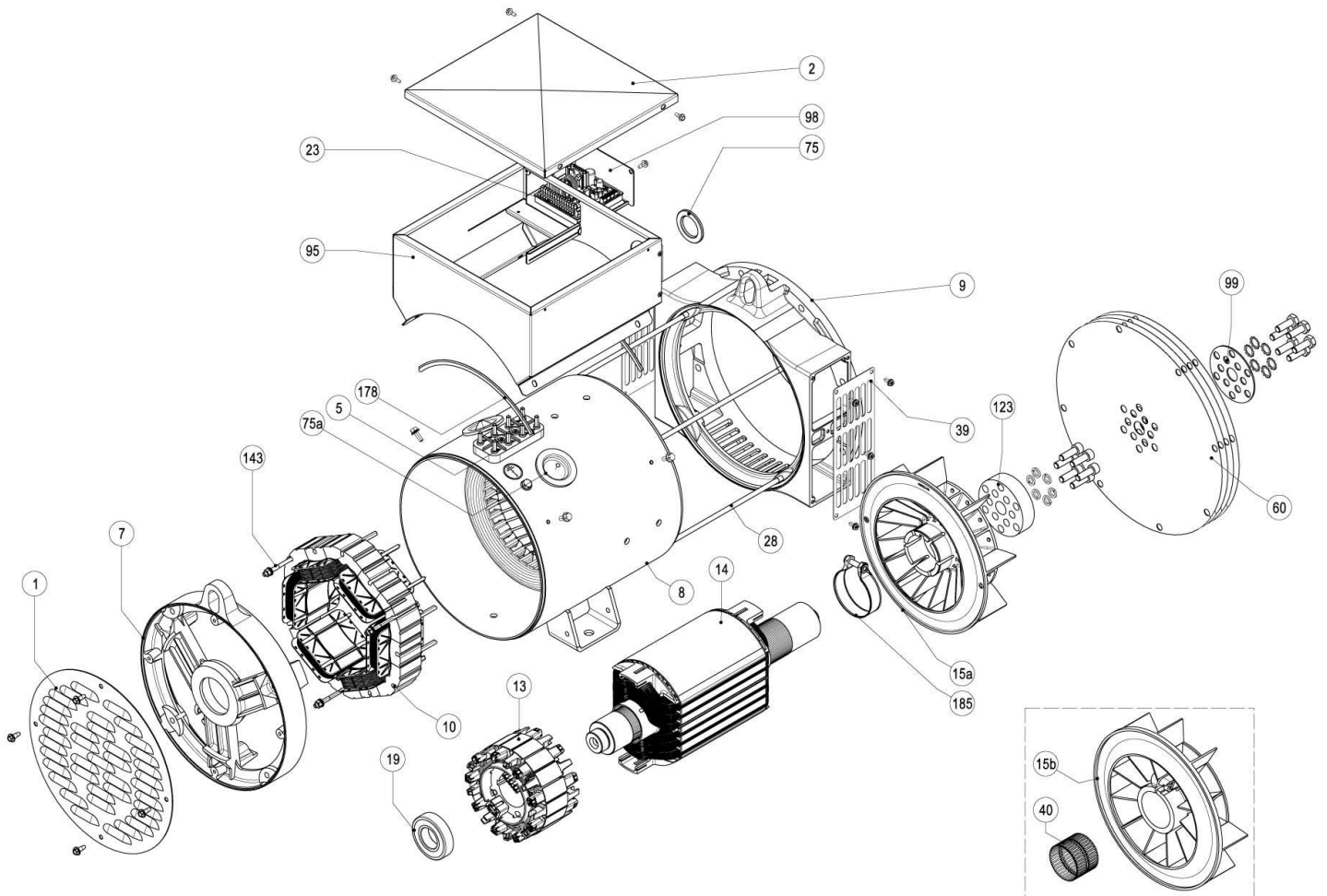
- 3) FIX MUFFLER BRACKET TO DIVIDER WITH SELF TAPPING SCREW. SECURE MUFFLER USING EXHAUST CLAMP.



REF #	PART NUMBER	QTY	DESCRIPTION
1	16237-002	1	Spark Arrestor
2	16248-000	4	.25-20 Flange Nut
3	16479-003	1	Exhaust Manifold
4	21698-001	1	Torx Screw
5	350264-1	2	Mounting Band
6	350590-10	1	Muffler
7	476-000	4	.25-20 x 5/8" Bolt
8	65004-000	1	Self Tap Screw
9	93489-015	1	Exhaust Clamp
NI	97274-000	24 FT	High Temperature Tape

Notes: NI - Not Illustrated

GENERATOR ASSEMBLY

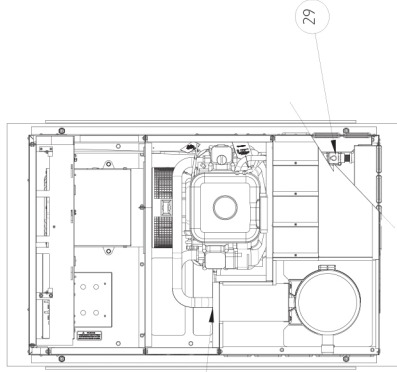


REF #	PART NUMBER	QTY	DESCRIPTION
N/A	64887-003	1	Complete Generator Assembly
The genend used on this model is a special tapered shaft not illustrated in the drawing. Call the WINCO Service Department for details.			

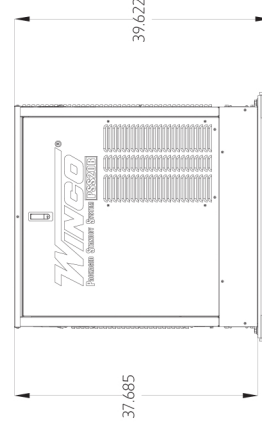
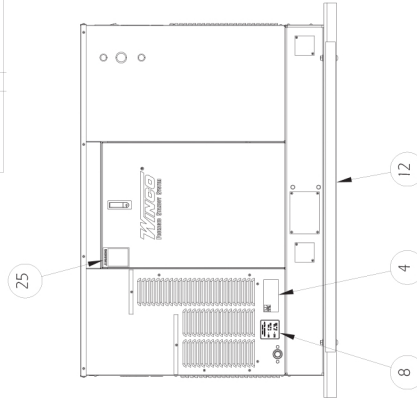
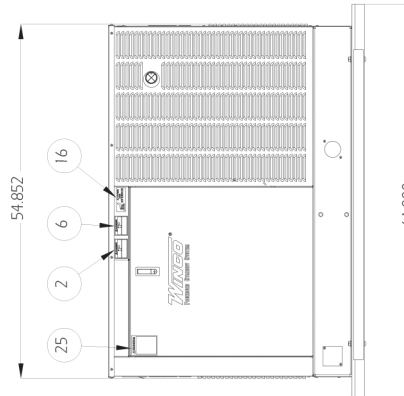
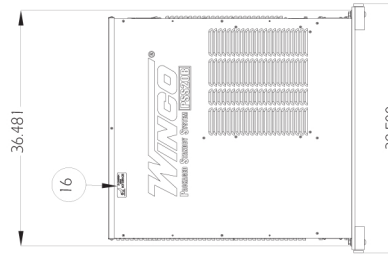
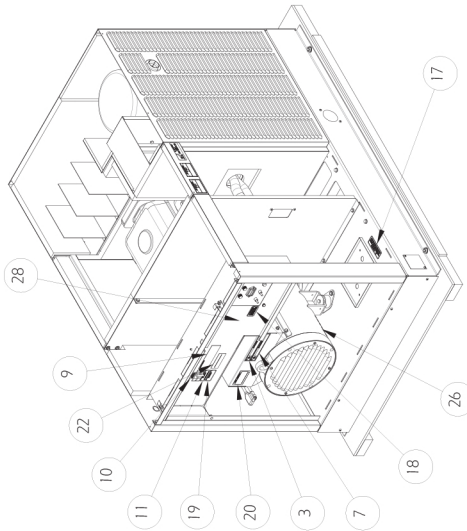
DECAL INSTALLATION

ITEM NO.	PartNo	DESCRIPTION	QTY
1	15209-000	DECAL SET	1
2	* 15209-002	DECAL-DANGER CARBON MONOXIDE	1
3	* 15209-003	UI-DECAL ELECTRICAL SHOCK CAN KILL	1
4	* 15209-004	DECAL-ALUMINUM INLET FITTING	1
5	15209-100	DECAL SET FRENCH	1
6	** 15209-102	DECAL-DANGER CARBON MONOXIDE	1
7	** 15209-103	UI-DECAL ELECTRICAL SHOCK CAN KILL	1
8	15210-010	FUEL PRESSURE DECAL PSS UNITS	1
9	15849-000	DECAL-STAND-BY SERVICE	1
10	16502-001	DECAL-AC POWER DISCONNECT	1
11	16503-000	DECAL-ELECTRICAL SHOCK CAN KILL	1
12	53005-009	DECAL-COPPER CONDUCTORS ONLY	1
13	60706-228	SHIPPING BASE ASSEMBLY PSS20B MANUAL	1
14	60710-018	OIL WARNING TAG	1
15	62912-001	FOAM STRIP .750" WIDE	21.4 FT
16	63941-001	DECAL -HOT SURFACES	2
17	63941-003	DECAL-WARNING NO SPARK	1
18	63941-004	DECAL FUSE WARNING (ENGLISH)	1
19	63941-005	DECAL-CIRCUIT REMAINS ENERGIZED	1
20	63966-005	KIT, NAMEPLATE WINCO PSS	1
21	64834-009	CARTON CORNER POST	4
22	64891-001	DECAL-CSA, SEPARATE PROTECTION	1
23	91718-000	DECAL - REF SPARK COMPLIANCE ICES-002	1
24	97338-008	DECAL - FUEL SELECTOR	1
25	97813-000	DECAL-WARNING CYCLE CRANK	2
26	99998-055	ENGINE GENERATOR BASE ASSEMBLY HOUSING ASSEMBLY	1
27	99998-100	HOUSING ASSEMBLY	1
28	99998-200	CONTROL BOX INSTALLATION	1
29	99998-400	FUEL SYSTEM INSTALLATION	1
30	99998-500	FUEL SYSTEM INSTALLATION	1
31	100047-765	EXHAUST SYSTEM INSTALLATION	1
32	100054-514	CARTON	1
		BAG	1

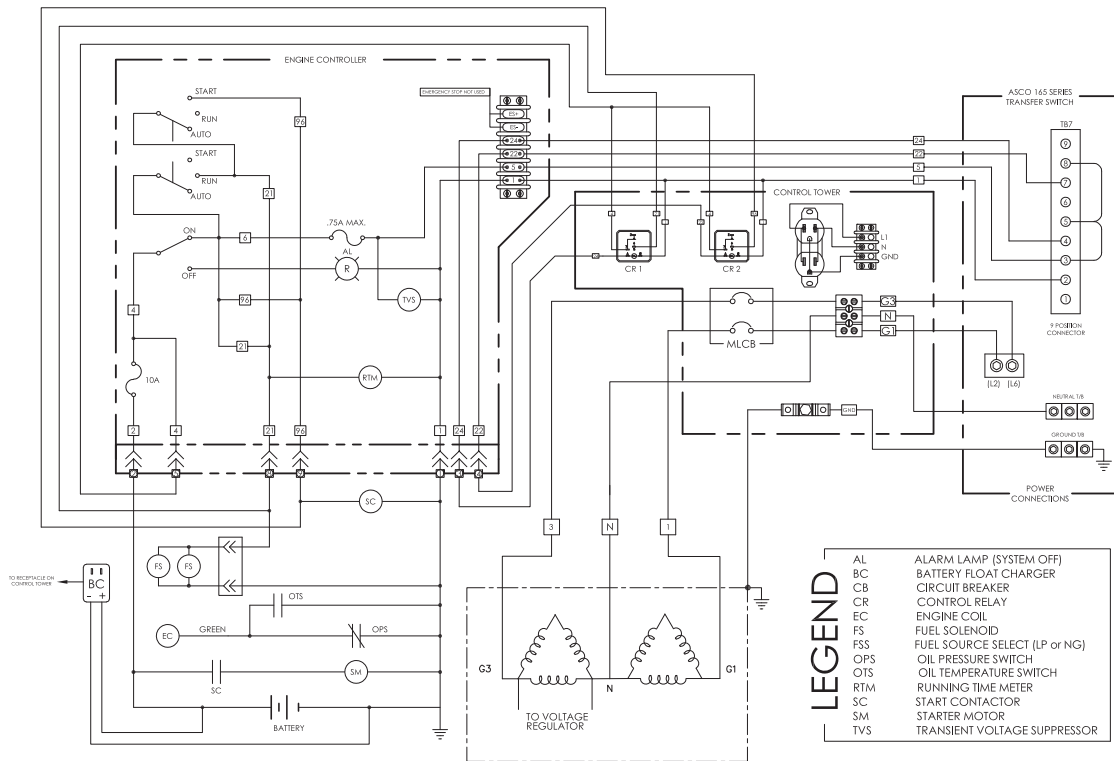
* = IN DECAL SET 15209-000
 ** = IN DECAL SET 15209-100



30



AC & DC SCHEMATIC ULPSS20B4W



AC & DC SCHEMATIC ULPSS20B2W

